

# DMX 512 Decoder Series



CE RoHS

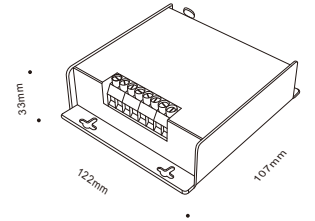
## Specifications

Model:	DE8356		
Input Voltage:	DC12-24V	Max output Power:	480W(12V)/960W(24V)
Max current Load:	10A*4CH Max 40A	Frequency:	500Hz/5000Hz
Control channels:	4CH	Signal Input:	DMX512/1990
Protection Grade:	IP20	DMX512/PWM Socket:	RJ45/XLR/Green terminal
Gross Weight:	400g	Work Temp.:	-30°C~70°C

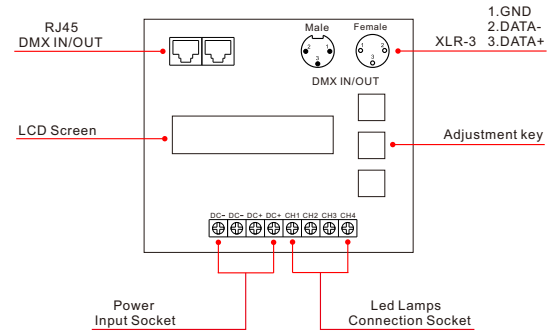
## Basic Features

- Meets DMX512/1990, with RJ45 interface and XLR to choose.
- 256-levels brightness, full-color with driver controls.
- Can achieve asynchronous color changes effect under working with controller.
- Setting the DMX address freely by LCD screen display.
- Can be matched with different LED module neatly.

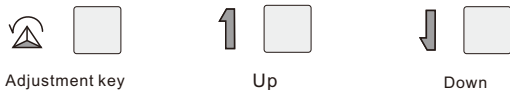
## Dimensions



## Component Diagram



## Product Operation



- Press "Adjustment key", switch entries.
- Press "Up" or "Down" key, parameter adjustment.
- Long press "Adjustment" key, back to main page.

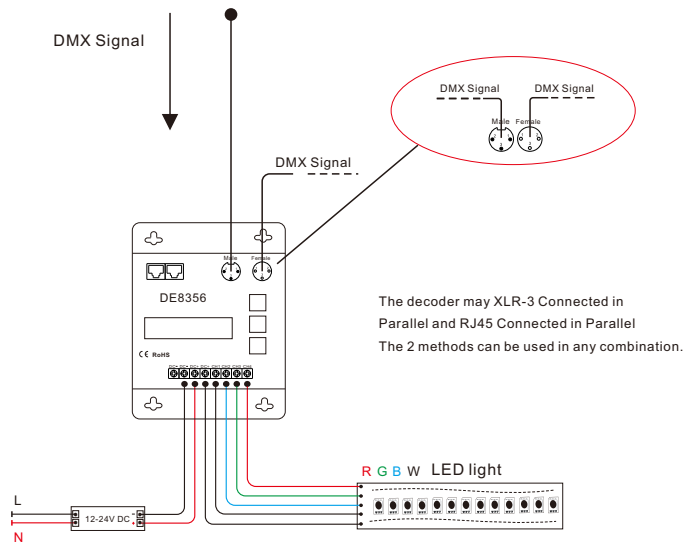
Product panel instructions, through the LCD screen show content, by button menu options, adjust the address code and internal program. When press Adjustment key move the DMX512 external control and internal dimming light program menu Setting address and adjusting the brightness can press Up Down to adjust.

5 PIN driver output interface (of anode output driver, with a LED +, 4 channels CH1-, CH2-and CH3-,CH4-output interface)

### Self - test program

DMX address value is set to the address of 000, RGB is fully lit and output in 3 seconds after the RGB jump cycle.

## Wiring Diagram



The decoder may XLR-3 Connected in Parallel and RJ45 Connected in Parallel. The 2 methods can be used in any combination.

An amplifier is needed when more than 32 decoders are connected  
signal amplification should not be more than 4 times continuously  
DMX5000 output and DE8356's transmission lines can't be over 300 meters.

## Suitable lamps and lanterns

